



POWER OF LIGHT

LIVE CLEAN
BREATHE FREE

INNOVATIVE TECHNOLOGIES FOR THE FUTURE

THE QUICKEST & MOST EFFECTIVE

Power Technology Industries (PTI) has a variety of UV-C germicidal disinfectant lights designed to kill viruses, mold and bacteria on surfaces in hospital rooms, hotel rooms, offices, HVAC supply air and other residential and commercial applications.

UV-C light is routinely used to decontaminate in many industries. In addition to standard chemical disinfection, some hospitals have already begun using UV-C machines to kill potentially dangerous bacteria such as methicillin-resistant *Staphylococcus aureus* (MRSA).

A POWERFUL TOOL TO COMPLIMENT YOUR CLEANING PROTOCOL

Ultraviolet lights can aid in the ongoing battle to reduce infections by keeping drug-resistant bacteria from lingering in rooms and HVAC supply air systems. UV-C helps cover surfaces that wipes and chemicals may miss. UV-C machines, which serve as a no touch method of room decontamination, can reduce key pathogens and work to fill gaps that wipes and chemicals miss during the cleaning of patient rooms, which can help hospitals achieve the best possible sanitation practices. UV-C can help meet patient expectations for cleanliness. When asked what impressed them most about the healthcare industry, the greatest number of respondents chose a visible commitment to infection prevention, according to a survey of 1,000 patients conducted by the Health Industry Distributors Association.

Show your customers that you are using every tool at your disposal to keep them safe. Utilizing a PTI UV-C system is a highly visible way of showing them your commitment to reducing infections.



WALL-MOUNTED UV-C LAMP DISINFECTION TIME

Room Size (sq ft)	UV Bulb Wattage (power rating)	Rec. Time (min)	Required Ventilation Time (min)
110	30	30	30
110	60	15	30
200	30	30	30
200	60	15	30
400	30	60	40
400	60	30	40
600	60	60	40

Table 1

PORTABLE UV-C LAMP DISINFECTION TIME

Room Size (sq ft)	UV Bulb Wattage (power rating)	Rec. Time (min)
400	60	30
800	120	30
1200	180	30

Table 2

THE SCIENCE

Antibiotic resistant organisms can survive on surfaces for weeks to months. Scientists have known for decades that broad-spectrum UV-C light, which has a wavelength between 200–400 nanometers (nm), is highly effective at killing bacteria, germs and viruses by destroying the molecular bonds which hold their DNA together.

There are numerous studies supporting the efficacy of UV-C in reducing the viability of a broad range of problematic pathogens, particularly antibiotic resistant strains.

Use of UV-C machines can cut transmission of four major superbugs. The finding is specific to patients who stay overnight in a room where someone with a known positive culture or infection of a drug-resistant organism had previously been treated.

A large randomized trial led by Deverick J. Anderson, M.D. of Duke Health and published in The Lancet.

Antibiotic resistant strains of *Escherichia coli* (E. coli) subjected to UV-C energy found UV-C disinfection processes dramatically reduced the survival of antibiotic-resistance genes of E. coli. Hospitals can use UV-C energy as a disinfecting technology in addition to manual cleaning and disinfection to help eliminate the particularly robust organisms that cleaning wipes and disinfectants may not reach.

A 2017 study published in the Journal of Applied Microbiology.

Sterilization rate reaches about 99.9% if utilized for the time indicated for the square footage. UV-C is a powerful germicidal method as it not only eradicates bacteria, germs and viruses such as Influenza and COVID-19, it also rids of formaldehyde and other chemically related smells.

WAY TO SANITIZE

PORTABLE GERMICIDAL UV-C LAMP¹

This unit features three (3), tubular UVC lamps optically centered around a highly polished aluminum base reflector for maximum intensity. This model is a portable solution designed to enhance the cleaning process by allowing a final sweep of all germs. Suitable for several applications including retail, hotels, restaurants, medical offices and exam rooms.

Features

- Aluminum/polished aluminum
- Aluminum adjustable pole (ranging from 48" to 66")
- Locking rolling casters for smooth transport
- Available in 3 models: 60, 120 or 180-watts
- Remote control for ease of operation
- 20 foot power cord w/storage harness
- One pair blue light blocking glasses provided with each unit

Technical Specifications

Weight: 48.16 lbs
 Dimensions: 48-66"H x 20"W
 Lamps: UVC-LED
 Beam Angel: 360°
 Rated Power: 60W per lamp
 Elec. Req.: 120V
 Use: commercial

Germicidal/sanitation timing noted in Table 2 on left.



RUNTIME



PORTABLE



REMOTE INCLUDED



TIMER



EXTENSION CORD



WALL-MOUNTED DISINFECTING UV-C LAMP^{1,2}

This unit is available in 3 models: 20, 30 and 40-watts. Each unit comes with slimline UVC quartz tubes optically centered around aluminum reflector for maximum intensity. A built-in motion detector allows for quick shut down when motion is detected.

This model is perfect for those who desire a wall-mounted or fixed solution. Suitable uses include offices, classrooms, restaurants, medical exam rooms, hospital rooms, hotel rooms, commercial bathrooms and retail businesses. Our 30W lamp can sanitize up to 430 sq ft of space. Quick and easy to install.

Features

- ABS and aluminum alloy construction
- Manual and remote-control options with motion sensor
- Formed stainless tube structure protects lamps
- 40-foot power cord

Technical Specifications

Weight: 4.2 lbs
 Construction: ABS and aluminum alloy
 Dimensions: 17.72"H x 12.6"W x 4"D
 Lamps: UVC germicidal
 Elec. Req.: 120V/60Hz

Germicidal/sanitation timing noted in Table 1 on left.



RUNTIME



REMOTE INCLUDED



TIMER



EXTENSION CORD



UV-C SANITATION CABINET¹

Our UV-C Rapid Sanitation System is available in 2 models – 6-rack option or for those needing to sterilize more equipment at one time, a 12-rack option.

These units are built to accommodate personal protective equipment (PPE) such as medial masks, eyewear, headwear, headsets and other shared equipment. The aluminum reflective interior allows increased UV light coverage, which ensures intense and complete sterilization of the contents.

Features

- LED timer for controlled sterilization
- Safety switch provides auto shut-off when door opened
- Exterior locking mechanism
- 6 removable trays (other options available)
- Complete sanitation in 15 minutes

Technical Specifications

Weight: 103 lbs
 Dimensions: 36"H x 36"W x 16"D
 Exterior: aluminum exterior
 Interior: SS/aluminum reflective
 Lamps: quartz glass tubes
 Elec. Req.: 120V



RUNTIME



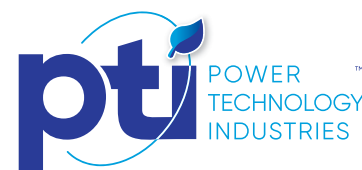
TIMER



EXTERIOR LOCK



AUTO SHUT OFF



UV SURFACE DISINFECTION

UV AIR PURIFICATION

UV-C HVAC UNIT

The HVAC UV Sanitation unit is used in commercial HVAC units and PTI's line of pre-conditioned air units to disinfect indoor air.

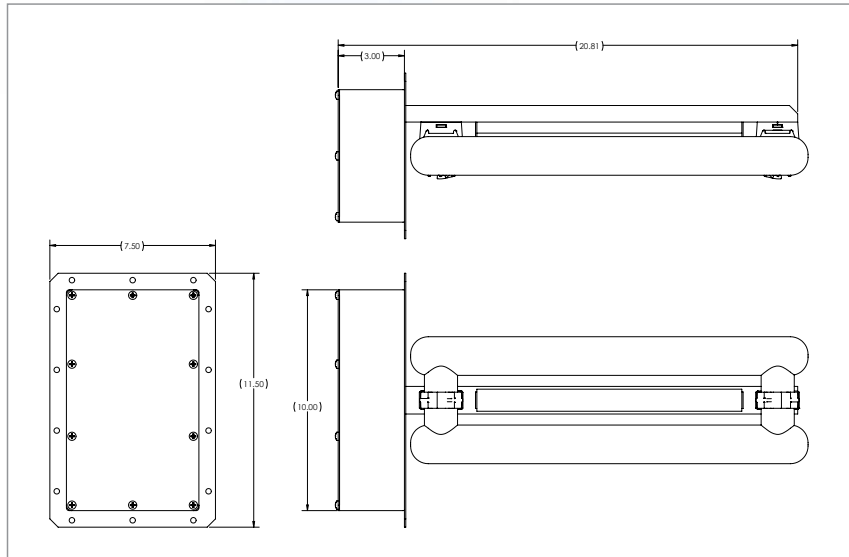
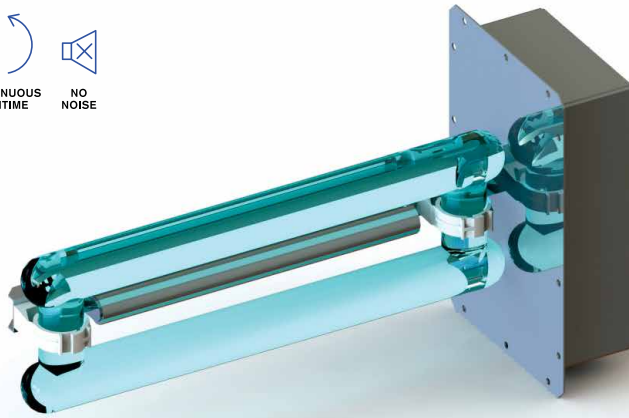
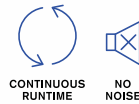
The polished aluminum interior allows increased UV-C light coverage, which ensures complete sterilization of air entering the building or airplane cabin.

Features

- Continuous non-stop operation
- Lightweight, easy to install, powerful, 300-watt quartz UV-C bulbs³
- Maintains 85% of the unit's output at 16,000 hrs
- Highly reflective, non-corrosive material for better penetration

Technical Specifications

Weight:	2 lbs
Construction:	aluminum
Dimensions:	2.25"H x 18.5"W x 1.75"D
Lamps:	two 150-watt UV-C
Elec. Req.:	120V/24VAC
Installation:	plenum



1 When UV light is activated, people and animals must leave the site. UV exposure is hazardous and can seriously burn the skin and eyes.

2 During the disinfection process, doors and windows must remain closed for at least 40 minutes. Post disinfection the doors should be re-opened for the recommended time (30-40 min) to ventilate.

NOTE: Specifications are subject to change without notice. Please refer to website for the latest specifications. One-year warranty.



+1 (844) 797-8324
PTechIndustries.com
Sales@PTechIndustries.com
12291 US Hwy 41 N, Suite B
Palmetto, FL 34221

